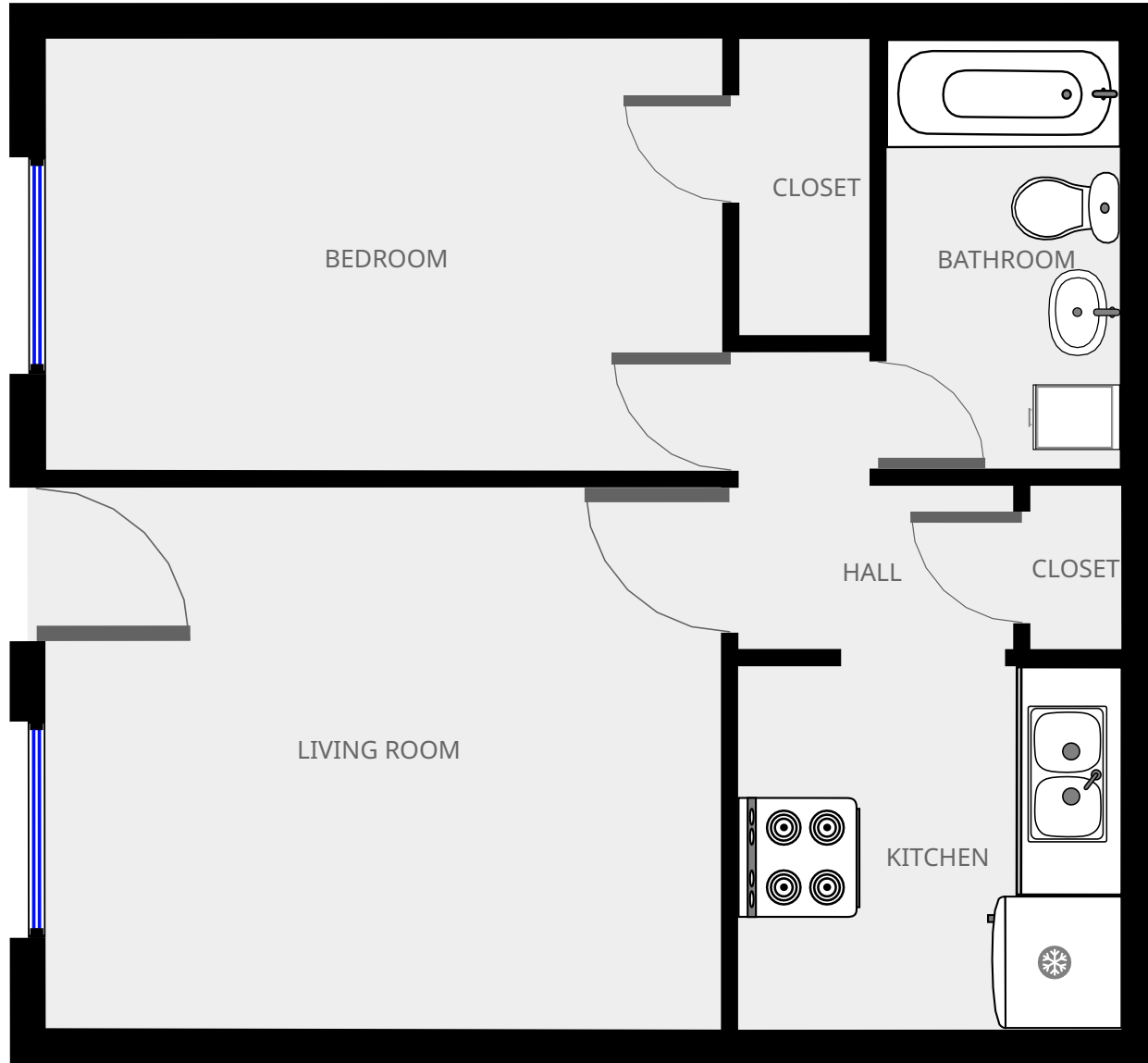


# Jack Pine

1-1

## Ground Floor



### Statistics

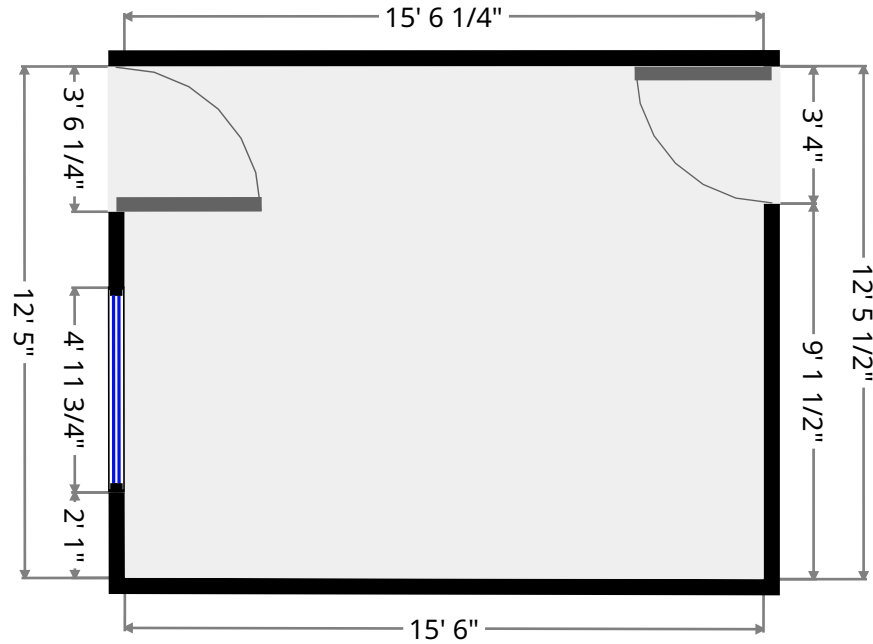
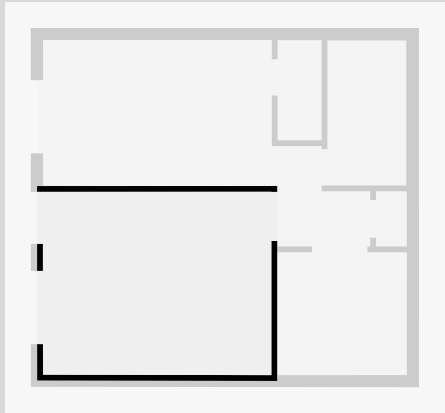
534 sq ft  
1 Floor  
1 Bedroom  
1 Bathroom

THIS FLOORPLAN IS PROVIDED WITHOUT WARRANTY OF ANY KIND. SENSOPIA DISCLAIMS ANY WARRANTY INCLUDING, WITHOUT LIMITATION, SATISFACTORY QUALITY OR ACCURACY OF DIMENSIONS.



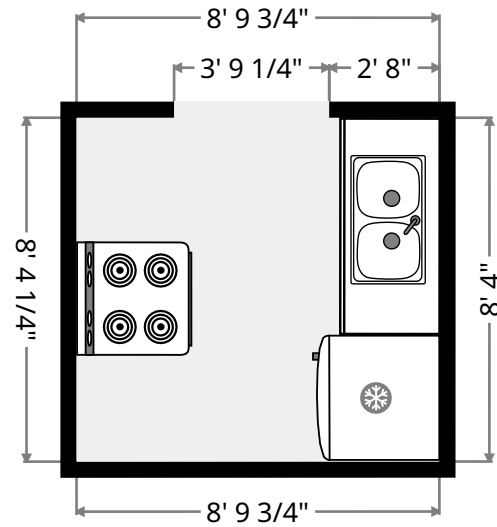
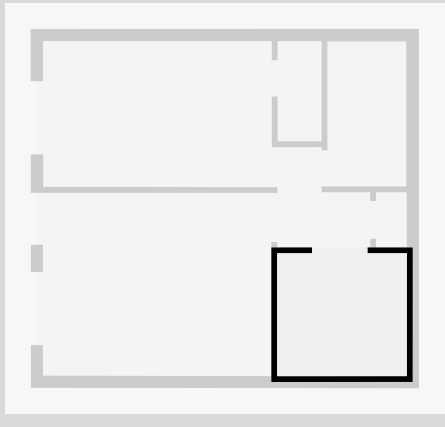
## Living Room

Width: 12' 5 1/2"  
 Length: 15' 6 1/4"  
 Area: 192.80 sq ft  
 Perimeter: 55' 10 1/2"  
 Ceiling Height: 7' 9 1/2"



## Kitchen

Width: 8' 4 1/4"  
 Length: 8' 9 3/4"  
 Area: 73.50 sq ft  
 Perimeter: 34' 3 3/4"  
 Ceiling Height: 7' 9 1/2"

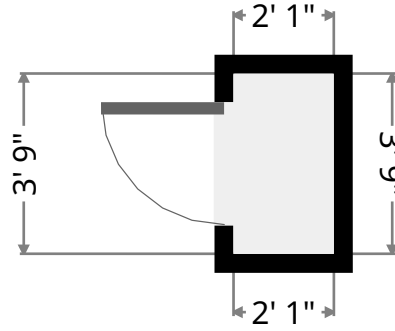
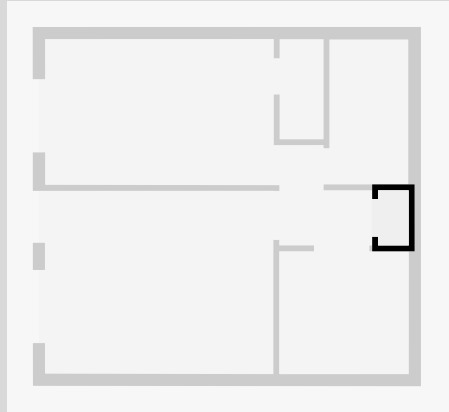


THIS FLOORPLAN IS PROVIDED WITHOUT WARRANTY OF ANY KIND. SENSOPIA DISCLAIMS ANY WARRANTY INCLUDING, WITHOUT LIMITATION, SATISFACTORY QUALITY OR ACCURACY OF DIMENSIONS.



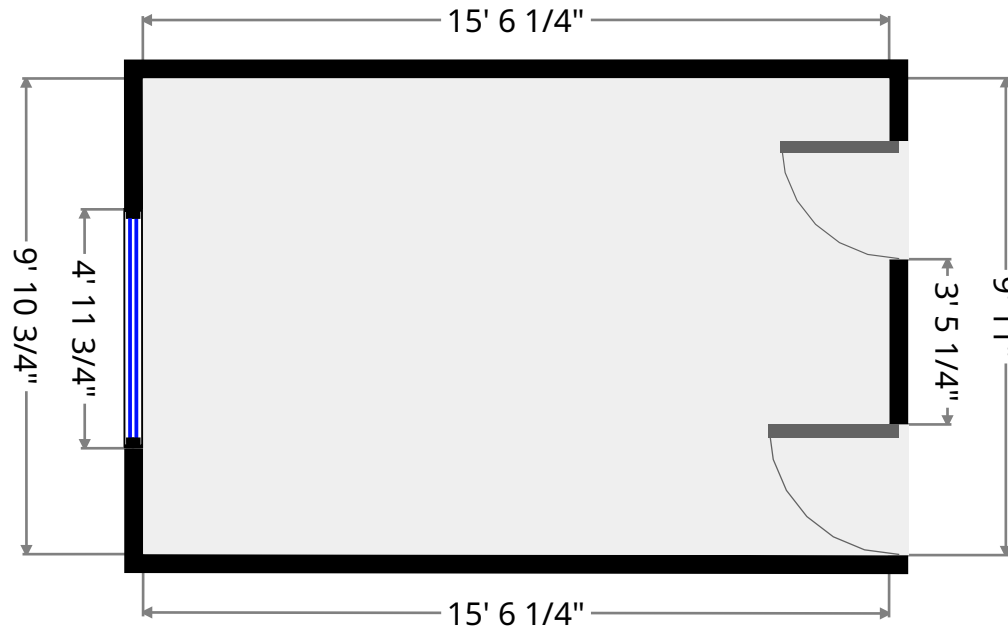
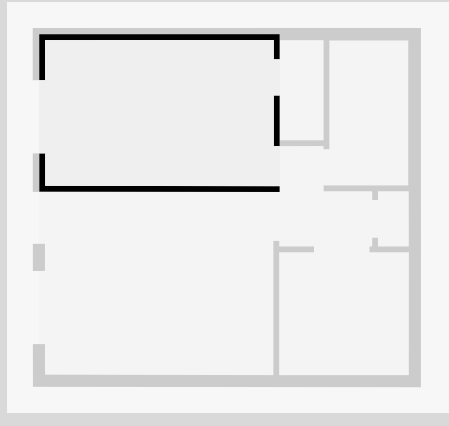
## Closet

Width: 2' 1"  
 Length: 3' 9"  
 Area: 7.82 sq ft  
 Perimeter: 11' 8"  
 Ceiling Height: 7' 9 1/2"

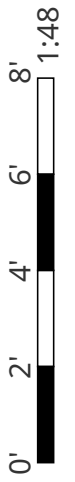


## Bedroom

Width: 9' 10 3/4"  
 Length: 15' 6 1/4"  
 Area: 153.80 sq ft  
 Perimeter: 50' 10 1/4"  
 Ceiling Height: 7' 9 1/2"

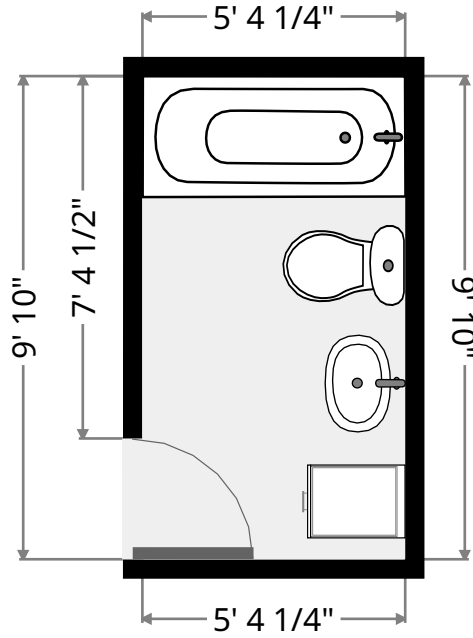
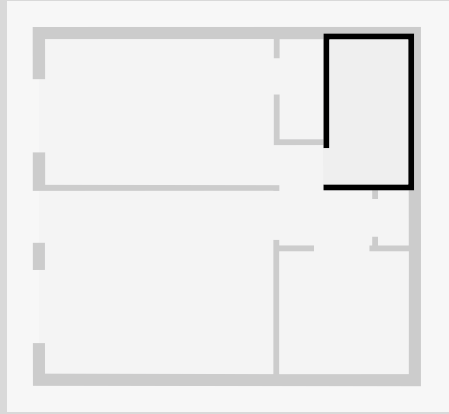


THIS FLOORPLAN IS PROVIDED WITHOUT WARRANTY OF ANY KIND. SENSOPIA DISCLAIMS ANY WARRANTY INCLUDING, WITHOUT LIMITATION, SATISFACTORY QUALITY OR ACCURACY OF DIMENSIONS.



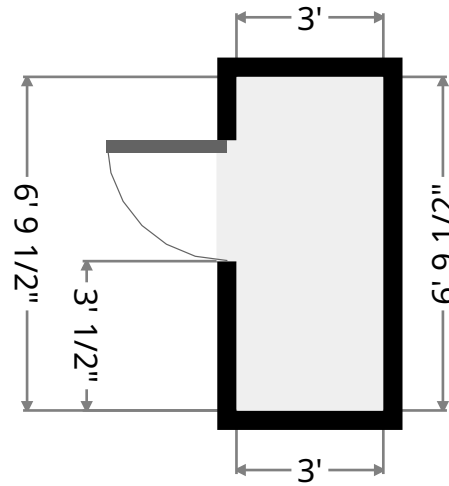
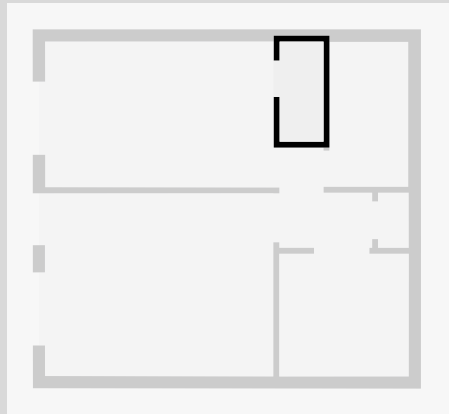
## Bathroom

Width: 5' 4 1/4"  
 Length: 9' 10"  
 Area: 52.69 sq ft  
 Perimeter: 30' 4 3/4"  
 Ceiling Height: 7' 9 1/2"



## Closet

Width: 3'  
 Length: 6' 9 1/2"  
 Area: 20.33 sq ft  
 Perimeter: 19' 6 3/4"

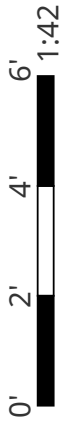
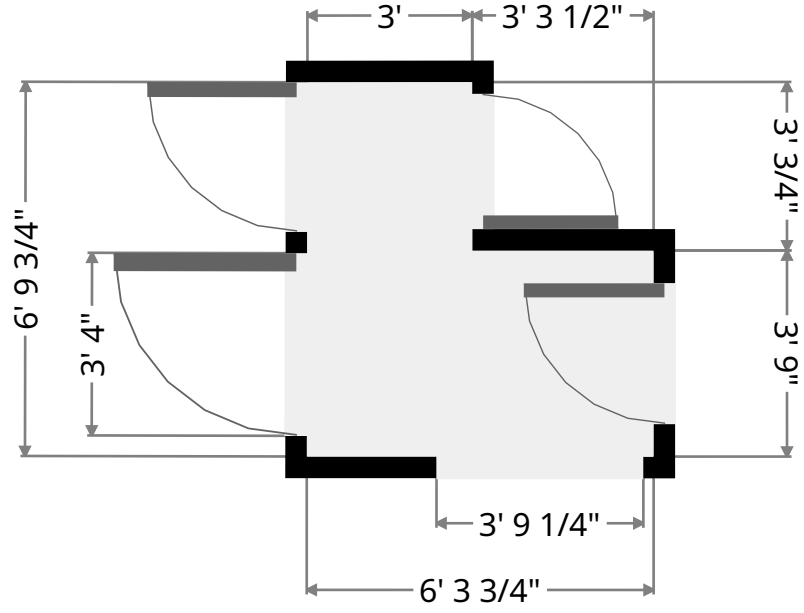
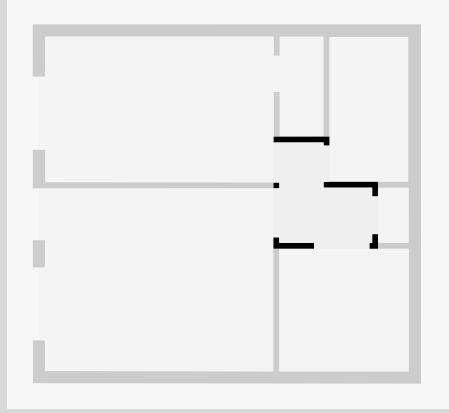


THIS FLOORPLAN IS PROVIDED WITHOUT WARRANTY OF ANY KIND. SENSOPIA DISCLAIMS ANY WARRANTY INCLUDING, WITHOUT LIMITATION, SATISFACTORY QUALITY OR ACCURACY OF DIMENSIONS.



# Hall

Width: 6' 3 3/4"  
Length: 6' 9 3/4"  
Area: 32.87 sq ft  
Perimeter: 26' 3"



THIS FLOORPLAN IS PROVIDED WITHOUT WARRANTY OF ANY KIND. SENSOPIA DISCLAIMS ANY WARRANTY INCLUDING, WITHOUT LIMITATION, SATISFACTORY QUALITY OR ACCURACY OF DIMENSIONS.