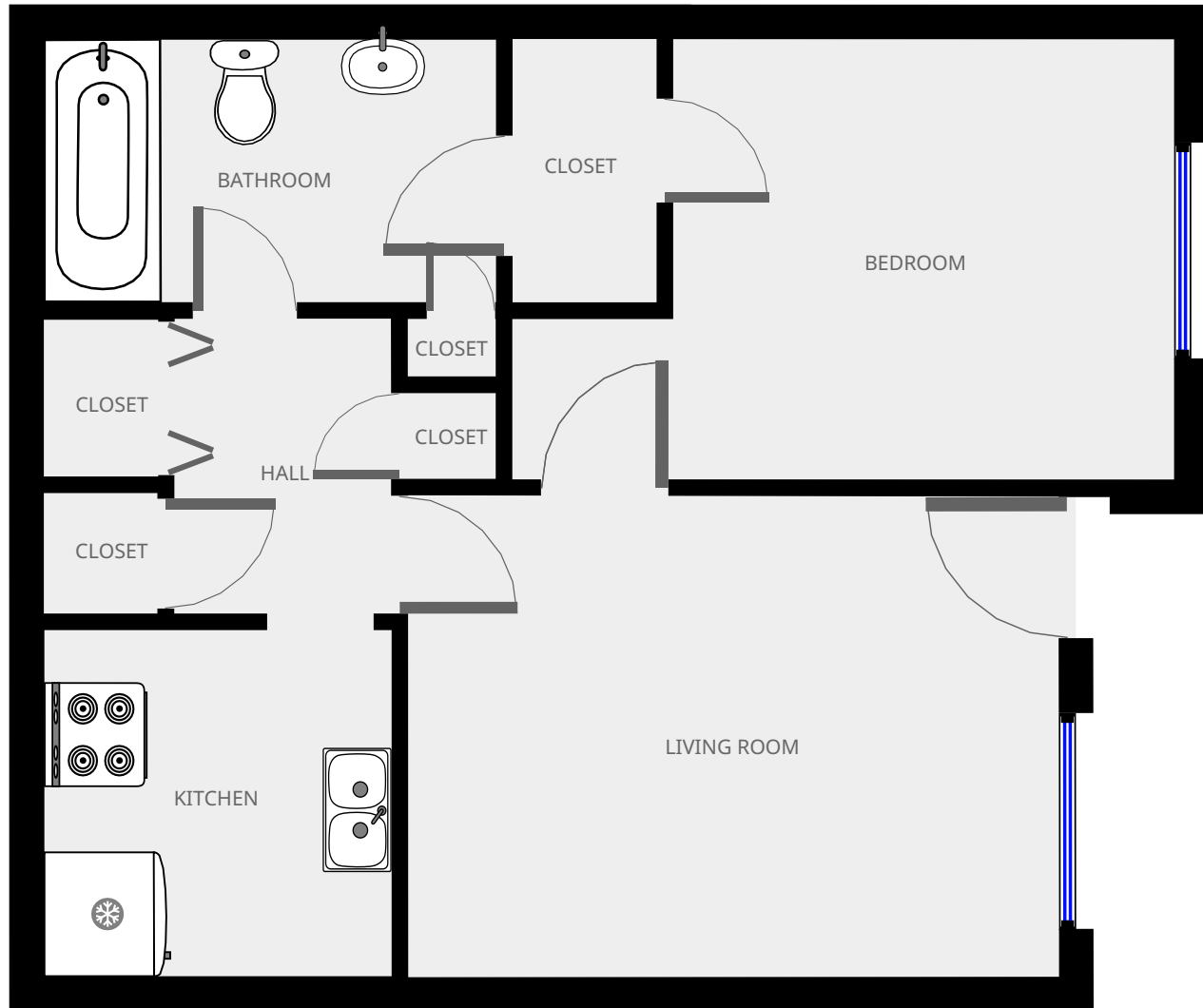


Red Pine

Ground Floor



Statistics

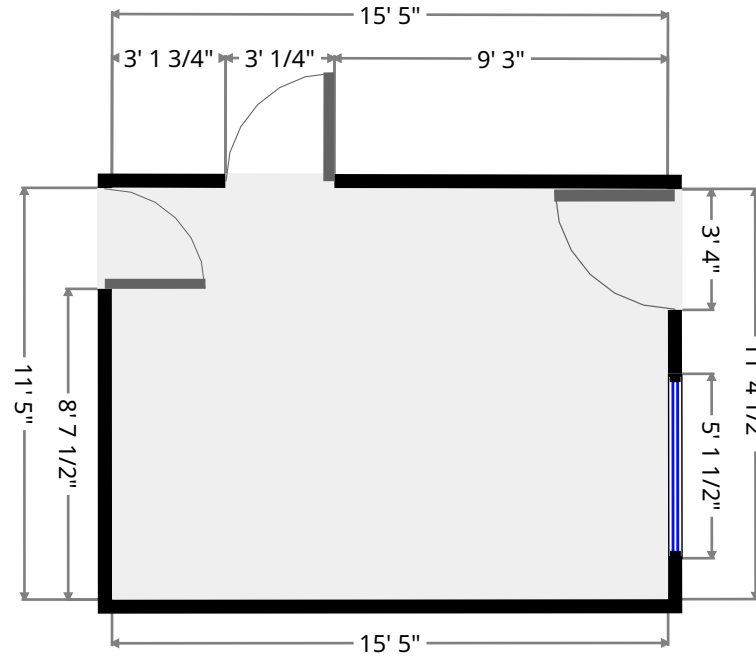
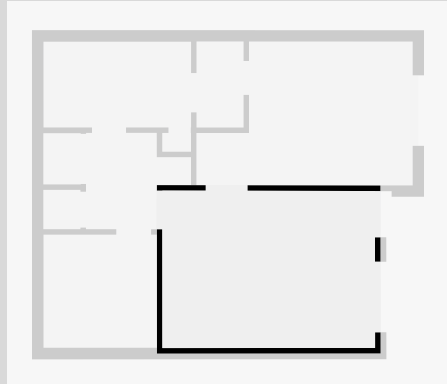
530 sq ft
1 Floor
1 Bedroom
1 Bathroom

THIS FLOORPLAN IS PROVIDED WITHOUT WARRANTY OF ANY KIND. SENSOPIA DISCLAIMS ANY WARRANTY INCLUDING, WITHOUT LIMITATION, SATISFACTORY QUALITY OR ACCURACY OF DIMENSIONS.



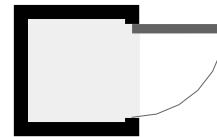
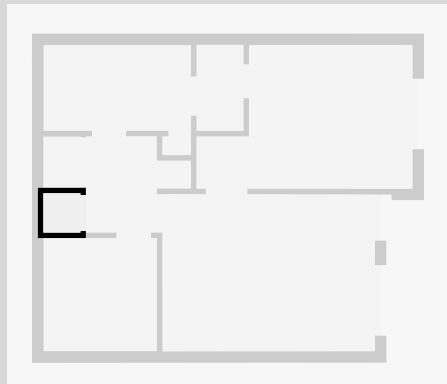
Living Room

Width: 11' 5"
 Length: 15' 5"
 Area: 175.79 sq ft
 Perimeter: 53' 7 3/4"
 Ceiling Height: 7' 9 1/2"



Closet

Width: 2' 8 1/4"
 Length: 2' 10 1/4"
 Area: 7.69 sq ft
 Perimeter: 11' 1 1/4"

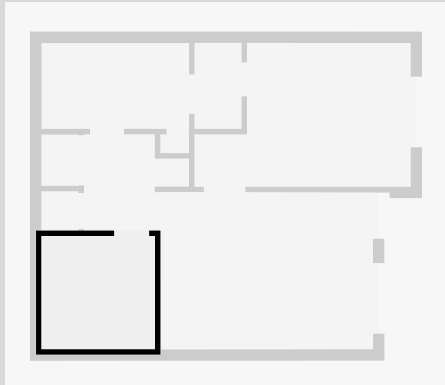


THIS FLOORPLAN IS PROVIDED WITHOUT WARRANTY OF ANY KIND. SENSOPIA DISCLAIMS ANY WARRANTY INCLUDING, WITHOUT LIMITATION, SATISFACTORY QUALITY OR ACCURACY OF DIMENSIONS.



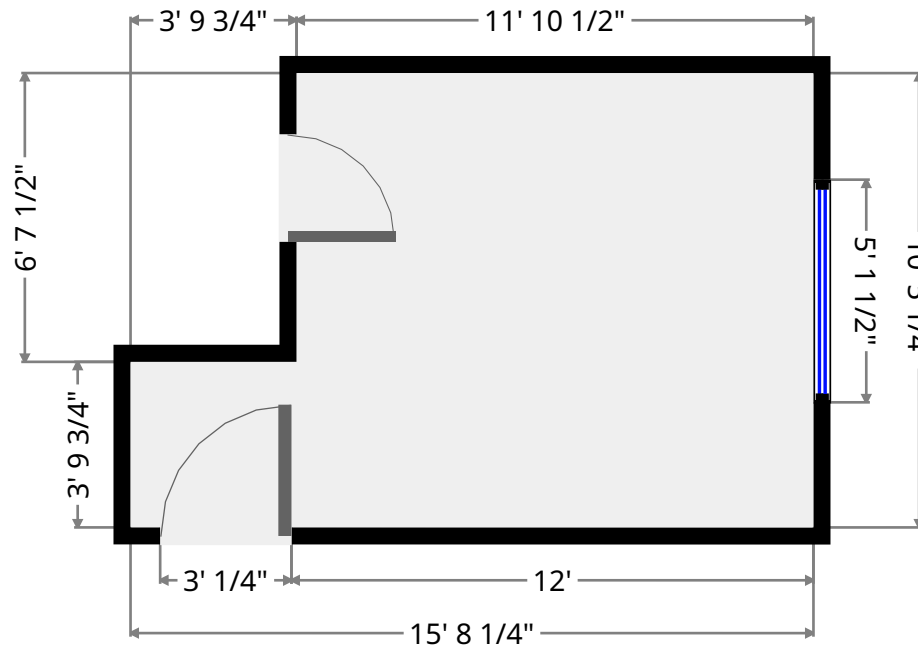
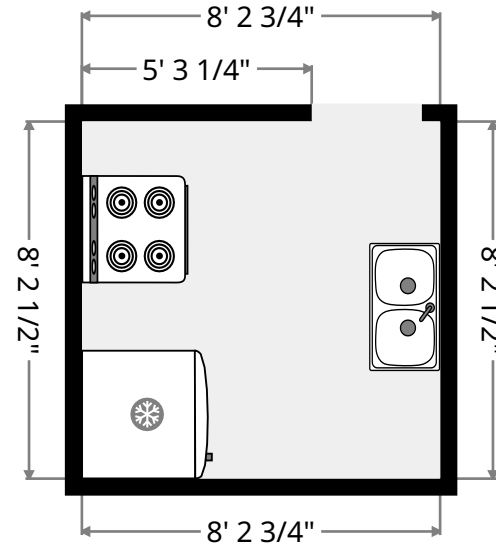
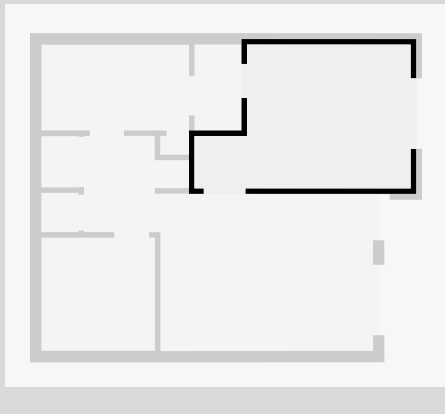
Kitchen

Width: 8' 2 1/2"
 Length: 8' 2 3/4"
 Area: 67.49 sq ft
 Perimeter: 32' 10 1/4"



Bedroom

Width: 10' 5 1/4"
 Length: 15' 8 1/4"
 Area: 138.41 sq ft
 Perimeter: 52' 3"
 Ceiling Height: 7' 9 1/2"

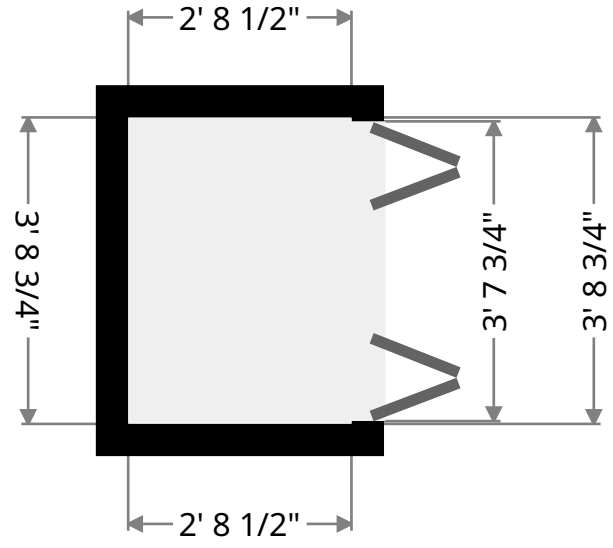
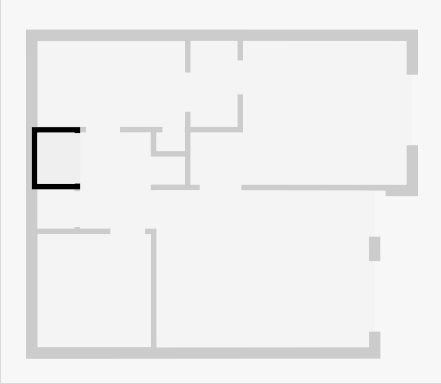


THIS FLOORPLAN IS PROVIDED WITHOUT WARRANTY OF ANY KIND. SENSOPIA DISCLAIMS ANY WARRANTY INCLUDING, WITHOUT LIMITATION, SATISFACTORY QUALITY OR ACCURACY OF DIMENSIONS.



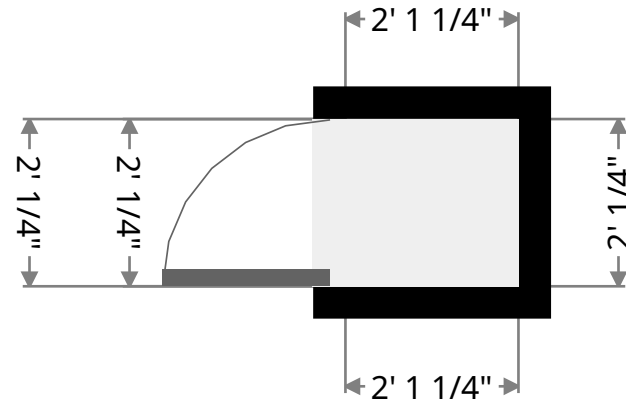
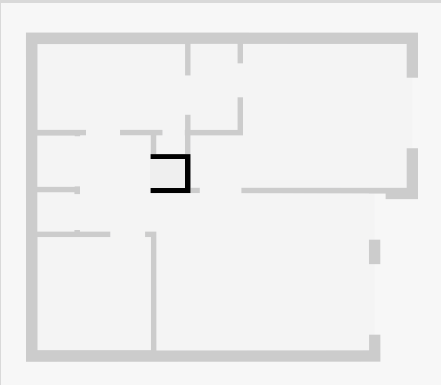
Closet

Width: 2' 8 1/2"
 Length: 3' 8 3/4"
 Area: 10.08 sq ft
 Perimeter: 12' 10 1/4"



Closet

Width: 2' 1/4"
 Length: 2' 1 1/4"
 Area: 4.26 sq ft
 Perimeter: 8' 3"

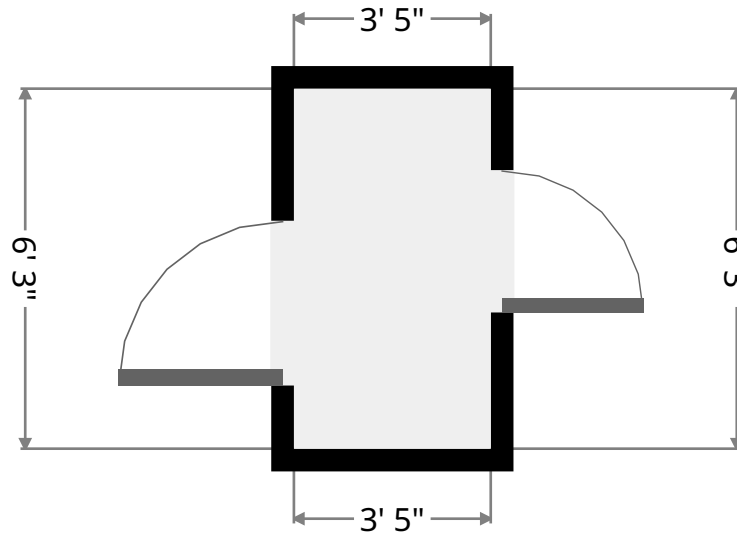
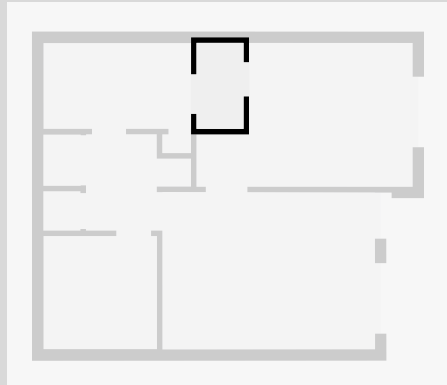


THIS FLOORPLAN IS PROVIDED WITHOUT WARRANTY OF ANY KIND. SENSOPIA DISCLAIMS ANY WARRANTY INCLUDING, WITHOUT LIMITATION, SATISFACTORY QUALITY OR ACCURACY OF DIMENSIONS.



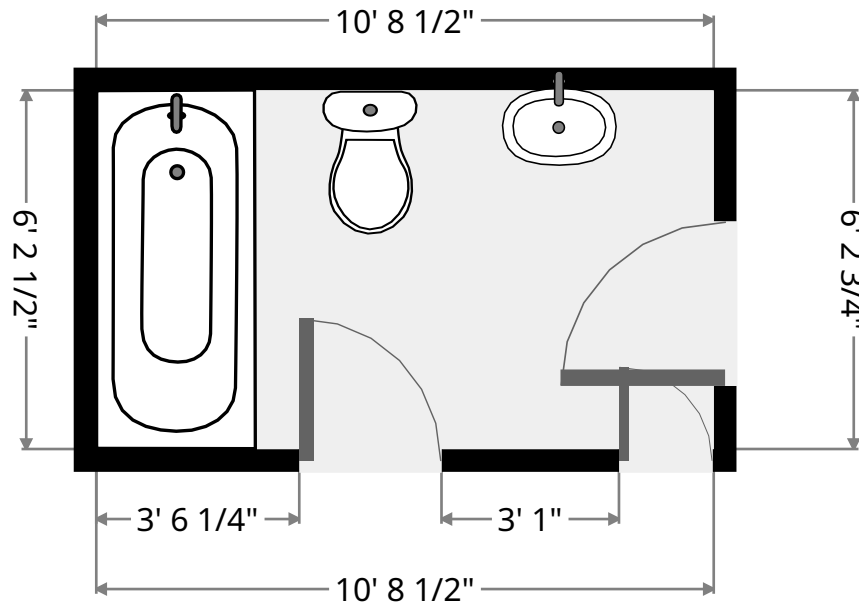
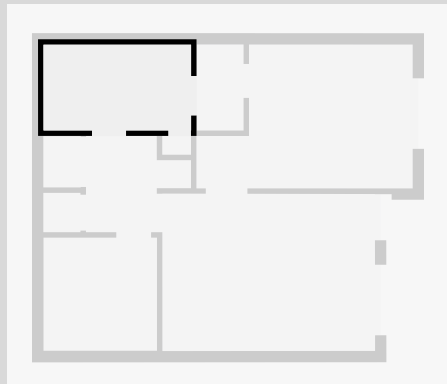
Closet

Width: 3' 5"
 Length: 6' 3"
 Area: 21.30 sq ft
 Perimeter: 19' 3 3/4"

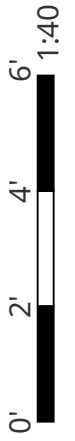


Bathroom

Width: 6' 2 1/2"
 Length: 10' 8 1/2"
 Area: 66.57 sq ft
 Perimeter: 33' 10 1/4"
 Ceiling Height: 7' 9 1/2"

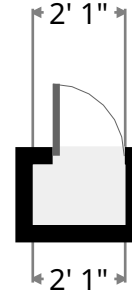
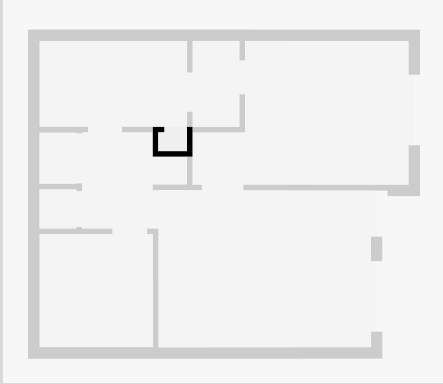


THIS FLOORPLAN IS PROVIDED WITHOUT WARRANTY OF ANY KIND. SENSOPIA DISCLAIMS ANY WARRANTY INCLUDING, WITHOUT LIMITATION, SATISFACTORY QUALITY OR ACCURACY OF DIMENSIONS.



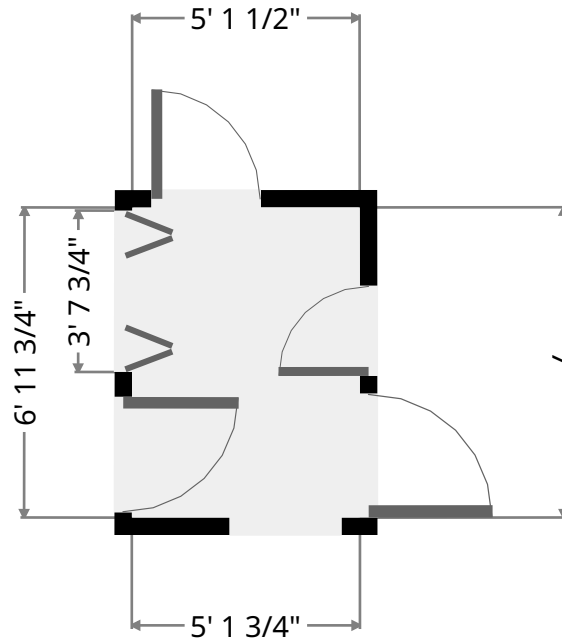
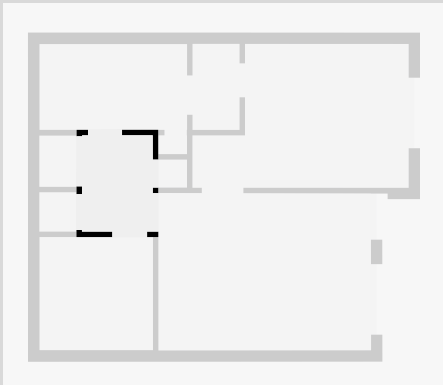
Closet

Width: 1' 4 1/2"
Length: 2' 1"
Area: 2.84 sq ft
Perimeter: 6' 10 3/4"



Hall

Width: 5' 1 1/2"
Length: 6' 11 3/4"
Area: 35.89 sq ft
Perimeter: 24' 3"



THIS FLOORPLAN IS PROVIDED WITHOUT WARRANTY OF ANY KIND. SENSOPIA DISCLAIMS ANY WARRANTY INCLUDING, WITHOUT LIMITATION, SATISFACTORY QUALITY OR ACCURACY OF DIMENSIONS.

